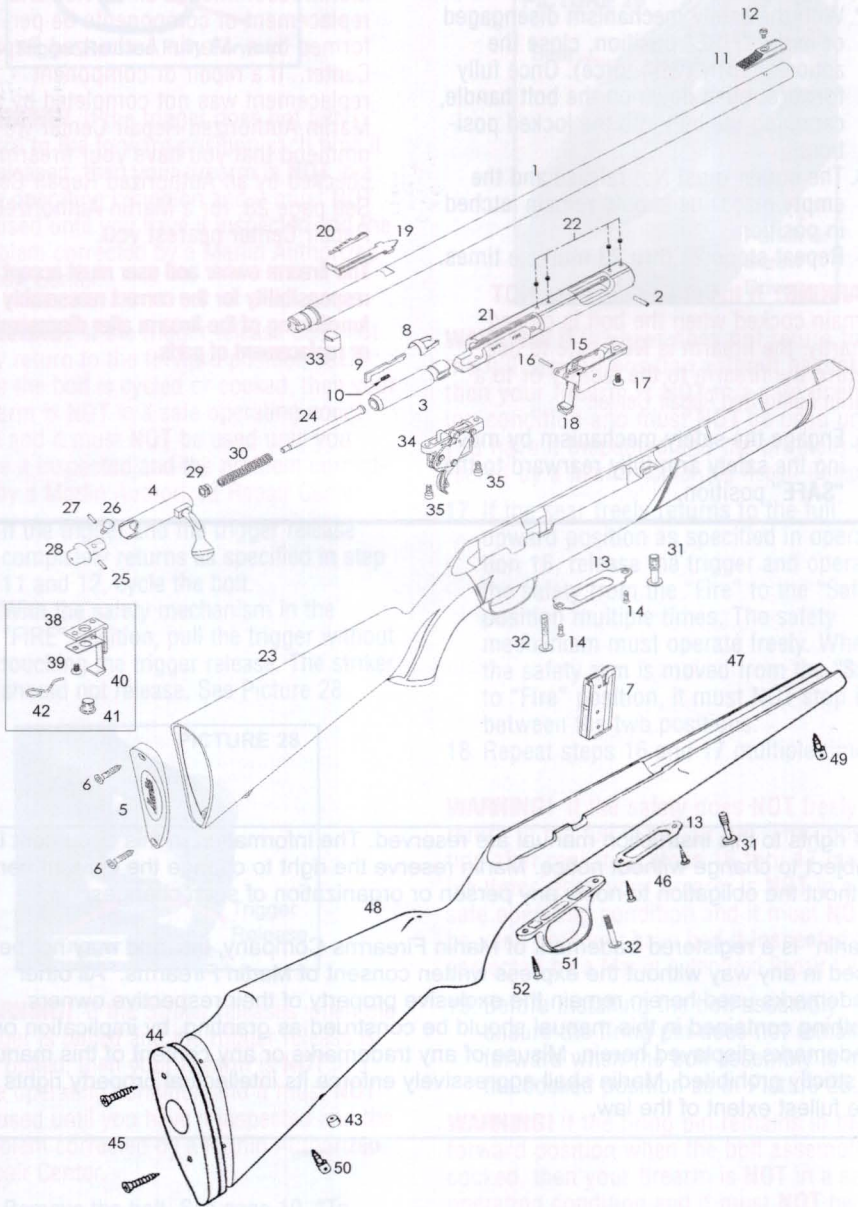


MODEL XT

Bolt Action Rimfire Rifle

Exploded View (Detachable Magazine)



Schematic is provided for part identification only and should not be used as a guide to assemble the firearm.

MODEL XT

Bolt Action Rimfire Rifle

Parts List (Detachable Magazine)

ITEM NO.	PART NAME	ITEM NO.	PART NAME
1	Barrel	31	Takedown Screw; Front
2	Barrel Retaining Pin	32	Takedown Screw; Rear
3	Breech Bolt; Front	33	Takedown Screw Stud
4	Breech Bolt; Rear	34	Trigger Assembly
5	Butt Plate (syn)	35	Trigger Ass'y Mounting Screws (2)
6	Butt Plate Mounting Screws (syn)		Magnum components
7	DM; LR 7-Shot (shown)	36	DM; Magnum 7-shot (NS)
8	Extractor	37	DM; Magnum 4-shot (NS)
9	Firing Pin	38	Magazine Mount Bracket
10	Firing Pin Spring	39	Magazine Latch Screw
11	Front Sight Base	40	Magazine Latch
12	Front Sight Base Screw	41	Mag. Mounting Bracket Screw
13	Magazine Guard Plate	42	Ejector; Magnum
14	Magazine Guard Plate Screws (2)		
15	Magazine Guide		Wood Stock; DM
16	Magazine Guide Pivot Pin	43	Bullseye
17	Magazine Guide Screw	44	Butt Plate; Wood
18	Magazine Latch/Ejector	45	Butt Plate Mounting Screw (2)
19	Rear Sight Base	13	Magazine Guard Plate
20	Rear Sight Elevator	46	Magazine Guard Plate Screws (2)
21	Receiver	47	Swivel Stud Nut; Front (NS)
22	Receiver Plugs (4)	48	Stock; Wood DM
23	Stock; Synthetic	49	Swivel Stud; Front
24	Striker Body	50	Swivel Stud; Rear
25	Striker Body Retaining Pin	31	Takedown Screw; Front
26	Striker Cam Pin	32	Takedown Screw; Rear
27	Striker Cam Retaining Pin	51	Trigger Guard
28	Striker Knob	52	Trigger Guard Screw
29	Striker Sleeve		
30	Striker Spring		

DM ---- Detachable Magazine
 NS --- Not Shown
 Syn --- Synthetic Stock Configuration

Note: Parts are subject to change without notice.

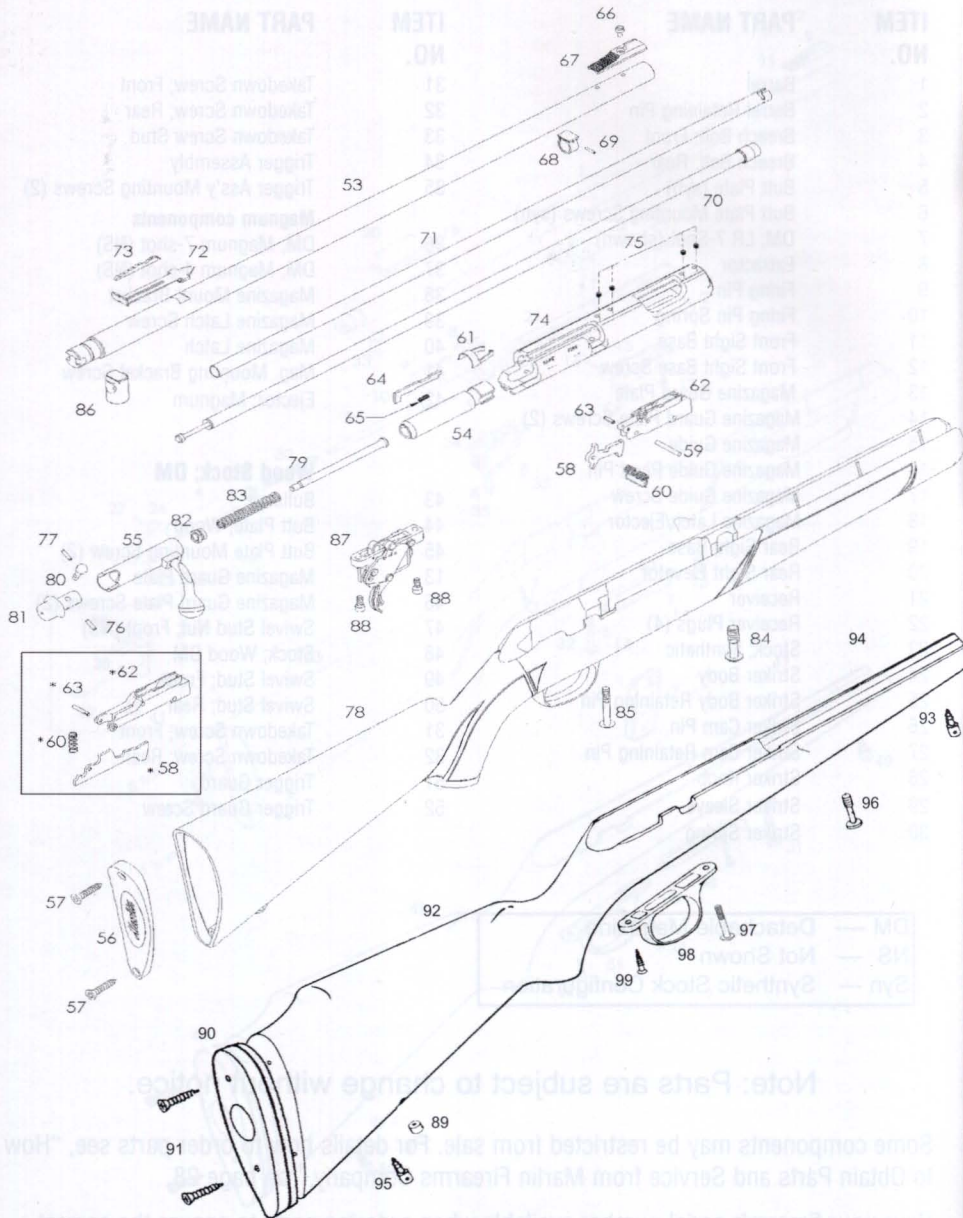
Some components may be restricted from sale. For details how to order parts see, "How to Obtain Parts and Service from Marlin Firearms Company," on page 28.

Have your firearm's serial number available when ordering parts to ensure the correct components are obtained for your particular firearm configuration.

MODEL XT

Bolt Action Rimfire Rifle

Exploded View (Tubular Magazine)



Schematic is provided for part identification only and should not be used as a guide to assemble the firearm.

MODEL XT

Bolt Action Rimfire Rifle

Parts List (Tubular Magazine)

ITEM NO.	PART NAME	ITEM NO.	PART NAME
53	Barrel	77	Striker Cam retaining Pin
54	Breech Bolt; Front	78	Stock; Synthetic
55	Breech Bolt; Rear	79	Striker Body
56	Butt Plate (Syn)	80	Striker Cam Pin
57	Butt Plate Mounting Screws (Syn)	81	Striker Knob
58	Cartridge Lifter	82	Striker Sleeve
59	Cartridge Lifter Pivot Pin	83	Striker Spring
60	Ejector Spring	84	Takedown Screw; Front (syn)
61	Extractor	85	Takedown Screw; Rear (syn)
62	Feed Ramp/Feed Throat	86	Takedown Screw Stud
63	Feed Throat Assembly Pin	87	Trigger Assembly
64	Firing Pin	88	Trigger Ass'y Mounting Screws (2)
65	Firing Pin Spring		Wood Stock; Tubular Magazine
66	Front Sight Base Screw	89	Bullseye
67	Front Sight Base	90	Butt Plate; Wood
68	Magazine Tube Band	91	Butt Plate Mounting Screw (2)
69	Magazine Tube Band Pin	92	Stock; Wood, Tube Magazine
70	Magazine Tube; Inside Ass'y	93	Swivel Stud; Front
71	Magazine Tube; Outside	94	Swivel Stud Nut; Front (NS)
72	Rear Sight Base	95	Swivel Stud; Rear
73	Rear Sight Elevator	96	Takedown Screw; Front
74	Receiver	97	Takedown Screw; Rear
75	Receiver Plugs (4)	98	Trigger Guard
76	Striker Body Retaining Pin	99	Trigger Guard Screw

* ---	Magnum Configuration
NS ---	Not Shown
Syn ---	Synthetic Stock Configuration

Note: Parts are subject to change without notice.

Some components may be restricted from sale. For details how to order parts see, "How to Obtain Parts and Service from Marlin Firearms Company," on page 28.

Have your firearm's serial number available when ordering parts to ensure the correct components are obtained for your particular firearm configuration.