

RINGS

MOUNTS

BASES

MAGAZINE EXTENSIONS

PRECISION SHOOTING ACCESSORIES



WARNE[®]

2024 CATALOG



WHO IS WARNE:

SHOOTERS AT HEART - We are shooters who create, design, sell and use our products. We enjoy the outdoors and all aspects of the shooting sports. We are proudly based out of the Pacific Northwest in Tualatin, Oregon. Our products are made here in the USA and we are completely hands on during the whole manufacturing process. The Warne® brand has been and always will be “built by shooters, for shooters”.



warnescopemounts.com
#ConfidenceInEveryShot




CONFIDENCE IN EVERY SHOT.®



CONTENTS

*MOUNTAIN TECH™ RAILS	4
MAXIMA® BASES	6
*VAPOR® BASES & RAILS	8
RANGE TOOL	9
MOUNTAIN TECH™ RINGS	10
MAXIMA® VERTICAL RINGS	12
MAXIMA® HORIZONTAL™ RINGS	14
MAXIMA® RIMFIRE RINGS	15
MAXIMA® TIKKA RINGS	16
MAXIMA® CZ RINGS	16
MAXIMA® RUGER RINGS	16
*VAPOR® RINGS & MSR 1 PIECE MOUNTS	18
SKYLINE® PRECISION MOUNT	20
SKYLINE® PRECISION MOUNT ACCESSORIES	20
TACTICAL MSR 1 PIECE MOUNTS	22
TACTICAL A645 SIDE MOUNT	24
* TACTICAL RED DOT MOUNTS	25
SKYLINE® PRECISION BIPOD & ACCESSORIES	26
*SKYLINE® LITE BIPOD	28
TACTICAL MAGAZINE EXTENSIONS	30
FITMENT CHARTS	32

* NEW PRODUCTS

ICON LEGEND

Look for these icons throughout the catalog to find which of these benefits and features fit your needs.

AB
7075 Billet

7075 billet aluminum has the high, strength-to-weight ratio, required for ultra-strong and lightweight mounts. Used in the aerospace industry, 7075 exceeds military specifications.

Hc
Hardcoat Anodized Finish

Hardcoat anodize prevents wear during extreme use.

Pc
Powder Coat Finish

Epoxy powder coat finish that creates a durable weather-proof and long-lasting finish.

Co
Competition

Highest quality materials - finishes and features that competition shooters demand.

LW
Lightweight

Engineered to be 30-60% lighter than similar mounts.

Ss
Sintered Steel

Superior strength and clamping characteristics specifically formulated for scope mounts.

AL
Aluminum

Designed to offer a good strength to weight ratio, attractive finish and high value to shooters.

Hu
Hunting

Durable and reliable for the hunt of a lifetime.

Qd
Quick Detach

Quickly switch between scope and iron sights, swap scopes or remove scope for easier transport and storage. Toolless design for installation and removal.

Cv
Chrome Vanadium

Better strength and toughness than carbon steel, ideal for hand tools.

Mc
Mid Capacity

Mid capacity allows for additional round count in an easy to carry size.

St
Steel

Made of steel for the strongest foundation available.

AN
Anodized Finish

Adds protection and keeps the product looking new for greater long term value.

LC
Large Capacity

Large capacity allows for maximum round count while maintaining USPSA maximum magazine length limit.

RTZ
Return to Zero

Confidently remove and re-mount your scope while maintaining the same point of impact.

EM
Ear Muff Friendly

Designed with no top button allowing a more comfortable fit when wearing over the head hearing protection.

ML
M-Lok

M-Lok® picatinny rail interface to fit various hand guards for mounting accessories.
M-Lok is a registered trademark of Magpul.

Ts
Target Shooting

Engineered to provide world class performance at the range or in the field.

AR
MSR Ideal Height

Allows the most ergonomic shooting position for MSR's with an optic.

LEM
LE/Military

Strength and dependability for law enforcement and military use.

Sf
Structured Fit

Modern preformed fit that keeps its shape.

H2O
Element Proof

Designed to withstand anything Mother Nature dishes out.

MW
Moisture Wicking

Moisture wicking Sport-Tek® 3.8oz polyester fabric.

TW
Torque Wrench

Torque wrench allows for aspecific and consistent tightening of various fasteners.

Ck
Cerakote Finish

Reduces abrasion and wear while giving a unique color finish to individualize your firearm.

LR
Long Range

Designed specifically to excel at long range precision and extreme distance shooting.

Si
Steel Inserts

Reinforces thread engagement, eliminating stripped screws.

HB
Highly Breathable

Lightweight and roomy design.

Ns
NATO/STANAG

NATO tests show that this attachment method increases repeatable alignment. These mounts are Weaver style and Mil-Spec 1913 compatible.

Zc
Zero Capacity

Zero additional capacity adds additional strength and cosmetic appeal.



WHY WE DESIGNED THESE :

VERSATILITY & STABILITY - Warne® Mountain Tech™ rails offer shooters the advantage of a consistent mounting platform across multiple firearms, enhanced ability to adjust proper eye relief and superior alignment of ring mounts. With self-centering hardware and aerospace grade materials, our Mountain Tech™ rails provide a lightweight and robust platform for your rifle.

KEY FEATURES :

- AB**
7075 Billet
- Ns**
NATO/STANAG
- Hc**
Hardcoat Anodized Finish
- H2O**
Element Proof
- LW**
Lightweight
- Ck**
Cerakote Finish

BEST USES :

- Hu**
Hunting
- Ts**
Target Shooting
- LEM**
LE/Military
- Co**
Competition



FIREARM MANUFACTURER & MODEL	1 PIECE RAIL WITH ZERO MOA		1 PIECE RAIL WITH 20 MOA	
	SHORT ACTION	LONG ACTION	SHORT ACTION	LONG ACTION
Bergara Premier Series (Rem 700 style, 8-40 Screws)	7671M	7672M	7671-20MOA	7672-20MOA
Browning X-Bolt	7641M	7642M	7641-20MOA	7642-20MOA
Browning X-Bolt Super Short Action	7641BB	7642BB	7641BB-20MOA	7642BB-20MOA
Browning X-Bolt Magnum	7640M	--	7640-20MOA	--
		7643M	--	7643-20MOA
		7643BB	--	7643BB-20MOA
CZ 452/455	--	--	7755M†	7755M†
CZ 457	--	--	7757M†	7757M†
HS Precision (8-40 Screws)	7671M	7672M	7671-20MOA	7672-20MOA
Howa 1500 & 1700	7650M	7651M	7650-20MOA	7651-20MOA
Howa Mini Action	7656M	7656M	7656-20MOA	7656-20MOA
Kimber 84M	7657M	7657M	7657-20MOA	7657-20MOA
Kimber 84L	7658M	7658M	7658-20MOA	7658-20MOA
Kimber 8400 WSM	7659M	7659M	7659-20MOA	7659-20MOA
Kimber 8400 Magnum	7660M	7660M	7660-20MOA	7660-20MOA
Nosler M48	7682M	7683M	7682-20MOA	7683-20MOA
Remington Police & XCR .338 LM (8-40 Screws)	7671M	7672M	7671-20MOA	7672-20MOA
Remington 700	7673M	7674M	7673-20MOA	7674-20MOA
	7673BB	7674BB	7673BB-20MOA	7674BB-20MOA
Ruger American Centerfire	7684M	7685M	7684-20MOA	7685-20MOA

FIREARM MANUFACTURER & MODEL	1 PIECE RAIL WITH ZERO MOA		1 PIECE RAIL WITH 20 MOA	
	SHORT ACTION	LONG ACTION	SHORT ACTION	LONG ACTION
Savage Accu-Trigger, Round Receiver, All Center Fire§	7666M	7667M	7666-20MOA	7667-20MOA
Accu-Trigger (with 8-40 Screws)	7664M	7665M	7664-20MOA	7665-20MOA
Savage 22DF Slug Gun	--	7667M	--	7667-20MOA
Savage AXIS & Edge	7699M	7699M	7699-20MOA	7699-220MOA
Savage AXIS/AXIS II 2021 & Newer models (8-40 Screws)	7698M	7698M	7698-20MOA	7698-20MOA
Tikka T1x	771XM	--	771X-20MOA	--
Tikka T3, T3X	7673M	7673M	7673-20MOA	7673-20MOA
Weatherby Mark V Magnum 9 Lug, Except .240 WM	7654M	7654M	7654-20MOA	7654-20MOA
Weatherby Mark V Standard 6 Lug	7653M	7653M	7653-20MOA	7653-20MOA
Weatherby Vanguard	7650M	7651M	7650-20MOA	7651-20MOA
Weatherby Model 307	7689M	7690M	7689-20MOA	7690-20MOA
Winchester Model 70 Standard Pre & Post 64 with .860 RHS*	7675M	7676M	7675-20MOA	7676-20MOA
Winchester Model 70 WSM	7677M	--	7677-20MOA	--
Winchester XPR	7688M	7686M	7688-20MOA	7686-20MOA

† 15MOA Picatinny Rail Adapter

§ Will not fit the Savage Model 25.

* RHS=Rear Hole Spacing: The measurement between the two rear screw holes, center to center.

FINISH COLORS : All part numbers are matte black unless notated with a "BB" for cerakote burnt bronze.

MAXIMA[®]

SCOPE BASES



WHY WE DESIGNED THESE :

STRENGTH & VERSATILITY - Warne[®] Maxima[®] steel bases are the strongest and most versatile mounting system available today. The simple low profile design along with steel construction is a significant upgrade from any other 2 piece bases.

KEY FEATURES :

ST

Steel

Ck

Cerakote Finish

BEST USES :

Hu

Hunting

Ts

Target Shooting

MANUFACTURER & MODEL	2 PIECE STEEL BASE SET
Anschutz (All) Marlin A1 & 50 Gloss	M824/824M
Browning A-Bolt, 22 Micro-Medallion, WSM	M918/918M
Browning A-Bolt Slug Gun	M904/922M
Browning A-Bolt 3	M912/912M
Browning BAR, BAR II, Mark II, BLR Lightweight, BPR Pump	M848/848M
Browning BLR (Steel Receiver)	M838/838M
Browning X-Bolt	M927/929M (BB)
Cooper 21, 36, 38 & 57	M888/842M
Cooper 16, 22, 50, 52, 54 & 56	M898/848M (S)
CVA-V2 Series Round Barrel	M980/980M
Howa 1500 & 1700	M902/876M (BB)
JC Higgins Model 50	M902/831M
Kimber 8400 with 8-40 screws	M887/841M
Kimber M84 & New 22 with 8-40 screws	M889/843M
Marlin 9, 45, 30AS, 36, 62, 93, 336, 336C, 375 & 1895	M864/864M
Marlin 1894 Cowboy, 444, Glenfield 30, Zane Grey	M864/864M
Marlin XL-7	M902/924M
Mauser 98 Altered	M902/830M
Mauser 98 Unaltered	M902/832M
Nosler M48	M902/876M (BB)
Remington 700	M902/876M (BB)
Remington 7400, 7600, 7615, FOUR, SIX & New 750	M894/870M
Remington 783	M902/902M
Remington New Model 7, 600, 660, 670, 673, XP-100 & XR-100	M902/801M
Ruger 10/22	M858/918M

MANUFACTURER & MODEL	2 PIECE STEEL BASE SET
Ruger American	M902/902M
Sako A-7	M918/918M
Savage Pre 2003 Bolt Action, Flat Receiver, Non Accu-Trigger	M902/936M
Savage Accu-Trigger, Round Receiver, All Center Fire [§]	M902/902M
Savage 10, 110 BA, FCP (Savage Round Receiver with 8-40 Screws)	M912/912M
Savage Mark II, 93R17	M824/824M
Savage 220F Slug Gun	M902/902M
Savage Axis/Edge	M902/902M
Tikka All Flat Tops	M932/932M
Tikka T3	M9T3M <i>*see footnote</i>
Thompson Center Encore, Omega & Triumph Bone Collector	M987M <i>*see footnote</i>
Thompson Center Contender	M988M <i>*see footnote</i>
Thompson Center Venture	M902/902M
Weatherby Mark V Standard 6 Lug & .240 WM	M888/875M
Weatherby Mark V Magnum 9 Lug, Except .240 WM	M902/879M
Weatherby Vanguard	M902/876M (BB)
Winchester Model 70 Std. Pre & Post 64 with .860 RHS	M902/924M
Winchester Model 70 WSM	M902/924M
Winchester Model 70 Post 64 Magnum with .330 RHS	M902/802M
Winchester Model 70 Pre 64 Magnum with .440 RHS	M902/818M
Winchester Model 70 WSSM	M902/903M
Winchester XPR	M916/954M

* The M9T3M, M987M & M988M part numbers are a 1 piece Weaver style bases not a 2 piece base set.

§ Will not fit the Savage Model 25.

RHS= Rear Hole Spacing: The measurement between the two rear screw holes, center to center.

FINISH COLOR LEGEND :

Finish color is determined by the specific letter at the END of the part number. All part numbers are available in matte finish (M) and part numbers available in burnt bronze will have a (BB) notated above. (M) is blued finish and (BB) is cerakote finish.

Final part number example: M902/876M is matte black finish and M902/876BB is burnt bronze finish.



WHY WE DESIGNED THESE:

AFFORDABLE, MADE IN USA QUALITY - Our Vapor® line of bases and rails were designed to offer shooters an affordable and reliable mounting platform manufactured for your specific firearm.

KEY FEATURES:

- AL
Aluminum
- Hc
Hardcoat Anodized Finish
- Lw
Lightweight

BEST USES:

- Hu
Hunting
- Ts
Target Shooting



1 PIECE RAILS

FIREARM MANUFACTURER & MODEL	1 PIECE RAIL WITH ZERO MOA		1 PIECE RAIL WITH 20 MOA	
	SHORT ACTION	LONG ACTION	SHORT ACTION	LONG ACTION
Bergara Premier Series (Rem 700 style, 8-40 Screws)	V471M	V472M	V471-20MOA	V472-20MOA
Howa 1500 & 1700	V450M	V451M	V450-20MOA	V451-20MOA
HS Precision (8-40 Screws)	V471M	V472M	V471-20MOA	V472-20MOA
Remington 700	V473M	V474M	V473-20MOA	V474-20MOA
Ruger Rimfire	--	--	V490-15MOA	--
Ruger American Centerfire	V484M	V485M	V484-20MOA	V485-20MOA
Ruger American Rimfire	--	--	V489-15MOA	--
Ruger 10/22	--	--	V490-15MOA	--
Savage 93	--	--	V468-15MOA	--
Savage Axis	V498M	V499M	V498-20MOA	V499-20MOA
Savage Accu-Trigger, Round Receiver, All Center Fire [§]	V466M	V467M	V466-20MOA	V467-20MOA
Accu-Trigger (with 8-40 Screws)	V464M	V465M	V464-20MOA	V465-20MOA
Tikka T3	V4T3M	--	V4T3-20MOA	--
Weatherby Vanguard	V450M	V451M	V450-20MOA	V451-20MOA
Winchester XPR	V484M	V485M	V484-20MOA	V485-20MOA

[§] Will not fit the Savage Model 25.

2 PIECE BASES

MANUFACTURER & MODEL	PART NUMBER
Browning X-Bolt	V427/429M
Browning A-Bolt 3 with 8-40 screws	V412/412M
Christensen Arms All Mesa, Ridgeline	V402/476M
Howa 1500	V402/476M
Marlin Lever Action 336, 1894, 1895	V464/464M
Remington 700	V402/476M
Ruger American Rimfire	V425/425M
Ruger American Centerfire	V402/402M
Savage 10/110 with 8-40 screws	V412/412M
Savage 10/110 with 6-48 screws	V402/402M
Weatherby Vanguard	V402/476M
Winchester Model 70 with .860 RHS*	V402/424M

* RHS=Rear Hole Spacing: The measurement between the two rear screw holes, center to center.

WHY WE DESIGNED THESE:

THE RIGHT TOOL FOR THE JOB - Designed to make the installation of our mounts and accessories easy, Warne's Range Tool makes a great addition to every range bag.



RT-1 RANGE TOOL

Warne's Range Tool is designed to be the go-to multi-tool for every shooter's range bag. This compact and durable tool features 12 of the most popular driver bits to perform basic firearm maintenance and scope adjustment in the field.

- Aluminum handle
- Chrome vanadium steel bits
- Pin remover size: 0.10"
- Flat blade screwdriver
- #2 Phillips head screwdriver
- Allen head sizes: 0.05", 1/16", 5/64", 3/32", 1/8" & 5/32"
- Torx driver sizes: T10, T15 & T20





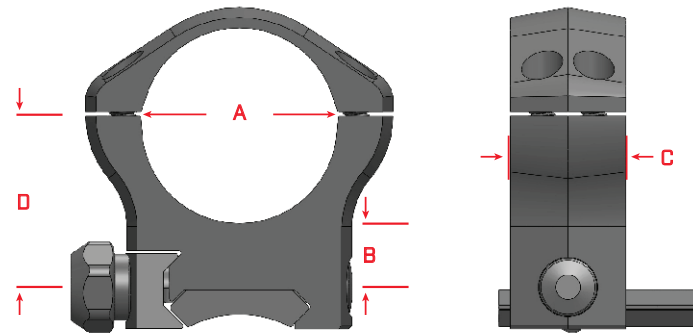
WHY WE DESIGNED THESE :

LIGHTWEIGHT & ELEMENT PROOF - We engineered Warne® Mountain Tech™ as a lightweight and rugged scope ring design that is equally at home on a mountain rifle or precision target rifle. Featuring 7075 aluminum construction and stainless hardware to withstand the punishing conditions Mother Nature can dish out. (DESIGN PATENT D802703)

KEY FEATURES :

AB 7075 Billet	AR MSR Ideal Height	Ns NATO/ STANAG	Hc Hardcoat Anodized Finish	RtZ Return to Zero	H₂O Element Proof	LW Lightweight	Ck Cerakote Finish	HU Hunting	Ts Target Shooting	LEM LE/Military
--------------------------	-------------------------------	------------------------------	--	---------------------------------	---	--------------------------	---------------------------------	----------------------	---------------------------------	---------------------------

BEST USES :



PART NUMBER	RING HEIGHT	FITS OBJECTIVE SIZE* [General Ranges]	DIMENSION A	DIMENSION B	DIMENSION C	DIMENSION D	WEIGHT [Per Pair]	RING STYLE
7200M	Low	20-36mm objective	1 inch	.275"	.705"	--	2.9 oz	FIXED
7201 (M or BB)	Medium	36-42mm objective	1 inch	.400"	.705"	--	3.9 oz	FIXED
7202M	High	42-52mm objective	1 inch	.550"	.705"	--	4.2 oz	FIXED
7204M	Ultra High	MSR Ideal Height	1 inch	--	.705"	1.4"	5.1 oz	FIXED
7213 (M or BB)	Low	24-42mm objective	30mm	.275"	.705"	--	3.5 oz	FIXED
7214 (M or BB)	Medium	42-52mm objective	30mm	.400"	.705"	--	3.9 oz	FIXED
7215M	High	50-56mm objective	30mm	.550"	.705"	--	4.5 oz	FIXED
7217M	Ultra High	MSR Ideal Height	30mm	--	.705"	1.4"	5.1 oz	FIXED
7220M	Low	30-42mm objective	34mm	.275"	.705"	--	3.9 oz	FIXED
7221M	Medium	42-52mm objective	34mm	.400"	.705"	--	4.2 oz	FIXED
7222M	High	52+mm objective	34mm	.550"	.705"	--	4.5 oz	FIXED
7224M	Ultra High	MSR Ideal Height	34mm	--	.705"	1.4"	5.1 oz	FIXED
7240M	Low	30-42mm objective	35mm	.275"	.705"	--	3.9 oz	FIXED
7241M	Medium	42-52mm objective	35mm	.400"	.705"	--	4.2 oz	FIXED
7242M	High	52+mm objective	35mm	.550"	.705"	--	4.5 oz	FIXED
7244M	Ultra High	MSR Ideal Height	35mm	--	.705"	1.4"	5.1 oz	FIXED
7250M	Low	Up to 52mm objective	40mm	.325"	.705"	1.24"	4.3 oz	FIXED

* All sizes listed are approximate, every firearm and scope set up varies.

FINISH COLOR LEGEND :

Finish color is determined by the specific letter at the END of the part number. All part numbers are available in matte finish (M) and part numbers available in cerakote burnt bronze will have a (BB) notated above.
Final part number example: 7201M is matte black and 7201BB is burnt bronze finish.

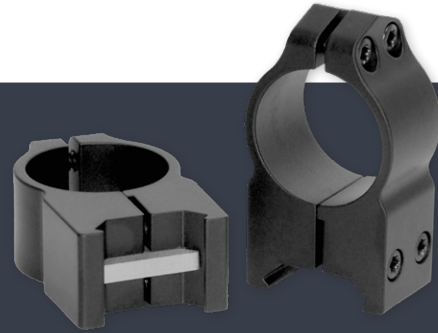


MAXIMA[®]

V E R T I C A L

WHY WE DESIGNED THESE:

INCREDIBLE HOLDING POWER & ELEGANT PROFILE - Warne[®] Maxima[®] Rings have proven to be the strongest scope rings on the market. The vertically split design offers robust simplicity and ease of installation. American made quality and precision at an affordable price make Warne[®] Maxima[®] scope rings the best in their class.

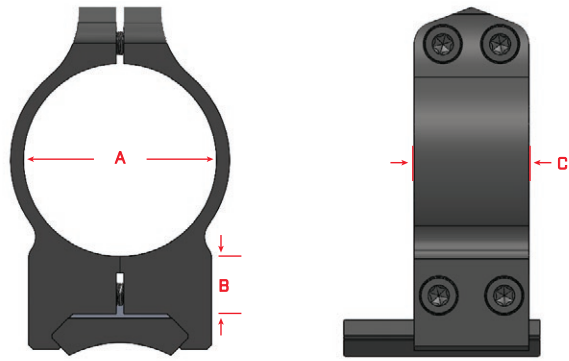


KEY FEATURES:

- Ss**
Sintered Steel
- RtZ**
Return to Zero
- Ns**
NATO/
STANAG

BEST USES:

- Hu**
Hunting
- Ts**
Target Shooting



PART NUMBER	RING HEIGHT	FITS OBJECTIVE SIZE* (General Ranges)	DIMENSION			WEIGHT	RING STYLE
			A	B	C		
200M	Low	20-36mm objective	1 inch	.250"	.705"	4.3 oz	FIXED
201M	Medium	36-42mm objective	1 inch	.375"	.705"	5.2 oz	FIXED
202M	High	42-52mm objective	1 inch	.525"	.705"	6.2 oz	FIXED
203M	Extra High	50-56mm objective	1 inch	.650"	.705"	6.8 oz	FIXED
213M	Low	24-42mm objective	30mm	.250"	.705"	4.6 oz	FIXED
214M	Medium	42-52mm objective	30mm	.375"	.705"	5.3 oz	FIXED
215M	High	50-56mm objective	30mm	.525"	.705"	6.2 oz	FIXED
216M	Extra High	Up to 62mm OD	30mm	.650"	.705"	7.1 oz	FIXED
220M	Low	30-42mm objective	34mm	.250"	.705"	4.7 oz	FIXED
221M	Medium	42-52mm objective	34mm	.375"	.705"	5.5 oz	FIXED
222M	High	52+mm objective	34mm	.525"	.705"	6.4 oz	FIXED
231M	Medium	36-65mm objective	36mm	.375"	.705"	5.9 oz	FIXED
200LM	Low	20-36mm objective	1 inch	.250"	.705"	4.9 oz	QUICK DETACH
201LM	Medium	36-42mm objective	1 inch	.375"	.705"	5.8 oz	QUICK DETACH
202LM	High	42-52mm objective	1 inch	.525"	.705"	6.8 oz	QUICK DETACH
203LM	Extra High	50-56mm objective	1 inch	.650"	.705"	7.4 oz	QUICK DETACH
204LM	Ultra High	MSR Ideal Height	1 inch	.935"	.705"	9.3 oz	QUICK DETACH
213LM	Low	24-42mm objective	30mm	.250"	.705"	5.2 oz	QUICK DETACH
214LM	Medium	42-52mm objective	30mm	.375"	.705"	5.9 oz	QUICK DETACH
215LM	High	50-56mm objective	30mm	.525"	.705"	6.9 oz	QUICK DETACH
216LM	Extra High	Up to 62mm OD	30mm	.650"	.705"	7.7 oz	QUICK DETACH
217LM	Ultra High	MSR Ideal Height	30mm	.850"	.705"	9.7 oz	QUICK DETACH
220LM	Low	30-42mm objective	34mm	.250"	.705"	5.3 oz	QUICK DETACH
221LM	Medium	42-52mm objective	34mm	.375"	.705"	6.0 oz	QUICK DETACH
222LM	High	52+mm objective	34mm	.525"	.705"	7.1 oz	QUICK DETACH
231LM	Medium	36-65mm objective	36mm	.375"	.705"	6.4 oz	QUICK DETACH

* All sizes listed are approximate, every firearm and scope set up varies.



MAXIMA[®]

HORIZONTAL[™]

WHY WE DESIGNED THESE:

THE NEW STANDARD - Warne[®] Maxima[®] Horizontal[™] Rings evolved from the concept of incorporating the world renowned performance, materials and reputation of Maxima rings in a more traditional, horizontally split configuration. Maxima Horizontal rings include several design features that enhance performance, ease installation and include the return to zero guarantee that Warne is known for.

KEY FEATURES:

Ss

Sintered Steel

RtZ

Return to Zero

Ns

NATO/STANAG

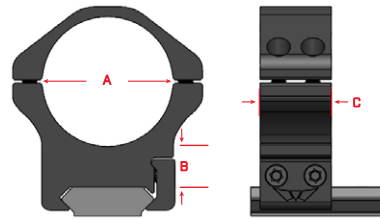
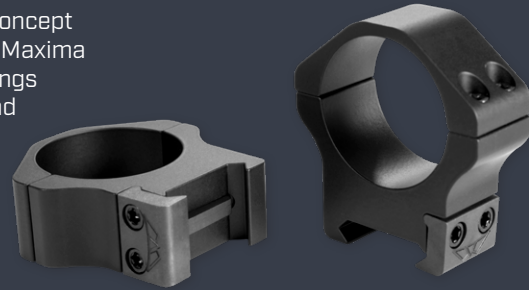
BEST USES:

Hu

Hunting

Ts

Target Shooting



PART NUMBER	RING HEIGHT	FITS OBJECTIVE SIZE* [General Ranges]	DIMENSION A	DIMENSION B	DIMENSION C	WEIGHT	RING STYLE
500M	Low	20-36mm objective	1 inch	.250"	.650"	4.9 oz	FIXED
501M	Medium	36-42mm objective	1 inch	.375"	.650"	5.8 oz	FIXED
502M	High	42-52mm objective	1 inch	.525"	.650"	6.8 oz	FIXED
513M	Low	24-42mm objective	30mm	.250"	.650"	5.0 oz	FIXED
514M	Medium	42-52mm objective	30mm	.375"	.650"	6.0 oz	FIXED
515M	High	50-56mm objective	30mm	.525"	.650"	6.9 oz	FIXED

* All sizes listed are approximate, every firearm and scope set up varies.

MAXIMA[®]

RIMFIRE

WHY WE DESIGNED THESE:

OVER BUILT FOR THE TASK - The Warne[®] Rimfire rings were created to fit both the 3/8th inch and 11mm dovetails found on many common rimfire rifles. Featuring a unique 70/30 horizontal split design, these steel rimfire rings are the best available.

KEY FEATURES:

Ss

Sintered Steel

RtZ

Return to Zero

Ns

NATO/STANAG

BEST USES:

Hu

Hunting

Ts

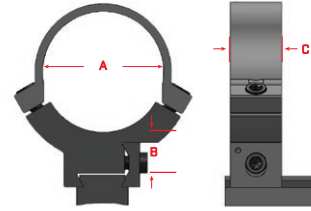
Target Shooting



Warne Tip: When installing either style Rimfire rings, be sure to notice which direction the small dot on the side clamp is facing. If it is in the 'up' position the rings will fit a 3/8" dovetail and if the dot is facing 'down' it will fit on 11mm dovetail.

PART NUMBER	RING HEIGHT	FITS OBJECTIVE SIZE* [General Ranges]	DIMENSION A	DIMENSION B†	DIMENSION C	WEIGHT [Per Pair]	RING STYLE
721M	Medium	20-42mm objective	1 inch	.400"	.502"	3.2 oz	FIXED
722M	High	42-52mm objective	1 inch	.525"	.502"	3.6 oz	FIXED
721LM	Medium	20-42mm objective	1 inch	.400"	.502"	3.8 oz	QUICK DETACH
722LM	High	42-52mm objective	1 inch	.525"	.502"	4.3 oz	QUICK DETACH
731M	Medium	20-42mm objective	30mm	.400"	.502"	3.6 oz	FIXED
732M	High	42-52mm objective	30mm	.525"	.502"	4.1 oz	FIXED

* All sizes listed are approximate, every firearm and scope set up varies.



MAXIMA®

TIKKA—CZ—RUGER

Warne's Maxima® grooved receiver rings are solid steel, vertically split rings that handle even the most punishing recoil, or large, heavy scopes.

WHY WE DESIGNED OUR TIKKA RINGS:

SIMPLICITY! - Tikka rifles have a grooved receiver that allows for a dovetail ring to mount directly to it, negating the need for a base.

Tikka Rail and base options:

- 76T3M - Aluminum rail for Tikka T3, T3X models (page 6)
- 76T3-20MOA - 20MOA aluminum rail for Tikka T3, T3X models (page 6)
- M6T3M - Steel rail for Tikka T3, T3X models (page 24)
- M6T3-20MOA - 20MOA steel rail for Tikka T3, T3X models (page 24)
- M9T3M - Steel Weaver style 1 piece base for Tikka T3 models (page 9)
- M932/932M - Steel Weaver style 2 piece bases for all flat top Tikka models (page 9)



WHY WE DESIGNED OUR CZ RINGS:

DIRECT FIT UPGRADE - Designed to fit the 19mm 550/557 and the 16mm 527 integral dovetails.

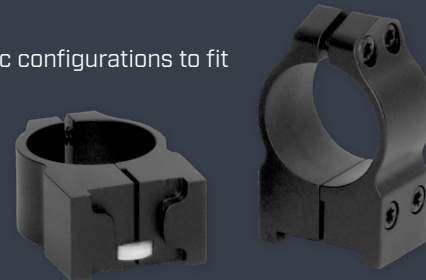
11mm Picatinny Rail Adapter Options: (page 6)

- 7755M - 15MOA rail for CZ 452/455 models
- 7757M - 15MOA rail for CZ 457 models



WHY WE DESIGNED OUR RUGER RINGS:

MODEL SPECIFIC FIT - Sold in pairs, Maxima® Ruger rings are packaged in model specific configurations to fit Ruger's proprietary dovetails.



KEY FEATURES:

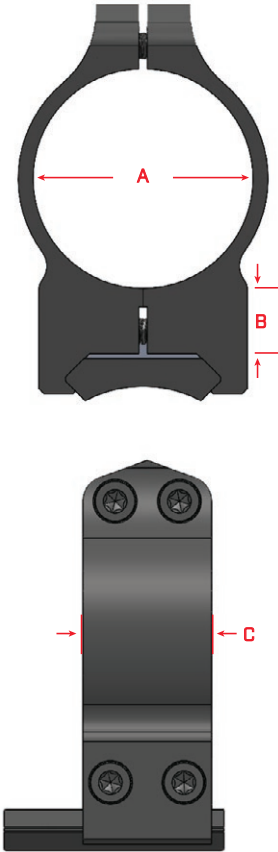
- Ss** Sintered Steel
- RtZ** Return to Zero
- Ns** NATO/STANAG

BEST USES:

- Hu** Hunting
- Ts** Target Shooting

PART NUMBER	RING HEIGHT	FITS OBJECTIVE SIZE* (General Ranges)	DIMENSION A	DIMENSION B	DIMENSION C	WEIGHT (Per Pair)	RING STYLE
FITS ONLY TIKKA MODELS							
1TM	Medium	20-42mm objective	1 inch	.460"	.705"	5.6 oz	FIXED
2TM	High	42-52mm objective	1 inch	.570"	.705"	6.3 oz	FIXED
14TM	Medium	24-52mm objective	30mm	.460"	.705"	5.7 oz	FIXED
15TM	High	50-56mm objective	30mm	.570"	.705"	6.4 oz	FIXED
1TLM	Medium	20-42mm objective	1 inch	.460"	.705"	6.0 oz	QUICK DETACH
2TLM	High	42-52mm objective	1 inch	.570"	.705"	6.8 oz	QUICK DETACH
14TLM	Medium	24-52mm objective	30mm	.460"	.705"	6.1 oz	QUICK DETACH
15TLM	High	50-56mm objective	30mm	.570"	.705"	6.8 oz	QUICK DETACH
FITS ONLY CZ 527 MODELS							
1B1M	Medium	20-42mm objective	1 inch	.425"	.705"	5.3 oz	FIXED
2B1M	High	42-52mm objective	1 inch	.535"	.705"	6.0 oz	FIXED
14B1M	Medium	24-52mm objective	30mm	.425"	.705"	5.4 oz	FIXED
15B1M	High	50-56mm objective	30mm	.535"	.705"	6.1 oz	FIXED
1B1LM	Medium	20-42mm objective	1 inch	.425"	.705"	5.8 oz	QUICK DETACH
2B1LM	High	42-52mm objective	1 inch	.535"	.705"	6.5 oz	QUICK DETACH
14B1LM	Medium	24-52mm objective	30mm	.425"	.705"	5.9 oz	QUICK DETACH
15B1LM	High	50-56mm objective	30mm	.535"	.705"	6.6 oz	QUICK DETACH
FITS ONLY CZ 550 MODELS							
1BM	Medium	20-42mm objective	1 inch	.425"	.705"	5.4 oz	FIXED
2BM	High	42-52mm objective	1 inch	.535"	.705"	6.1 oz	FIXED
14BM	Medium	24-52mm objective	30mm	.425"	.705"	5.4 oz	FIXED
15BM	High	50-56mm objective	30mm	.535"	.705"	6.3 oz	FIXED
1BLM	Medium	20-42mm objective	1 inch	.425"	.705"	5.9 oz	QUICK DETACH
2BLM	High	42-52mm objective	1 inch	.535"	.705"	6.7 oz	QUICK DETACH
14BLM	Medium	24-52mm objective	30mm	.425"	.705"	6.1 oz	QUICK DETACH
15BLM	High	50-56mm objective	30mm	.535"	.705"	6.9 oz	QUICK DETACH
FITS ONLY RUGER No. 1 & MINI 14 MODELS							
1RM	Medium	20-42mm objective	1 inch	.460"	.705"	5.6 oz	FIXED
2RM	High	42-52mm objective	1 inch	.585"	.705"	6.5 oz	FIXED
14RM	Medium	24-52mm objective	30mm	.460"	.705"	5.7 oz	FIXED
15RM	High	50-56mm objective	30mm	.585"	.705"	6.5 oz	FIXED
1RLM	Medium	20-42mm objective	1 inch	.460"	.705"	6.0 oz	QUICK DETACH
2RLM	High	42-52mm objective	1 inch	.585"	.705"	6.9 oz	QUICK DETACH
14RLM	Medium	24-52mm objective	30mm	.460"	.705"	6.1 oz	QUICK DETACH
15RLM	High	50-56mm objective	30mm	.585"	.705"	6.8 oz	QUICK DETACH
FITS ONLY RUGER M77 & HAWKEYE MODELS							
1R7M	Medium	20-42mm objective	1 inch	.460"	.705"	6.0 oz	FIXED
2R7M	High	42-52mm objective	1 inch	.585"	.705"	6.9 oz	FIXED
14R7M	Medium	24-52mm objective	30mm	.460"	.705"	6.1 oz	FIXED
15R7M	High	50-56mm objective	30mm	.585"	.705"	6.9 oz	FIXED
1R7LM	Medium	20-42mm objective	1 inch	.460"	.705"	6.4 oz	QUICK DETACH
2R7LM	High	42-52mm objective	1 inch	.585"	.705"	7.2 oz	QUICK DETACH
14R7LM	Medium	24-52mm objective	30mm	.460"	.705"	6.6 oz	QUICK DETACH
15R7LM	High	50-56mm objective	30mm	.585"	.705"	7.3 oz	QUICK DETACH

* All sizes listed are approximate, every firearm and scope set up varies.



VAPOR

RINGS & MOUNTS

WHY WE DESIGNED THESE:

AFFORDABLE, MADE IN USA QUALITY - Our Vapor® line of mounts were developed and engineered to provide you with a strong and economical mounting solution that outperforms other mounts in their class.

KEY FEATURES:

AL Aluminum
Hc Hardcoat Anodized Finish
Ar MSR Ideal Height
LW Lightweight

BEST USES:

Hu Hunting
Ts Target Shooting



Vapor MSR Mount



Vapor Horizontal



Vapor Vertical



Vapor Rimfire

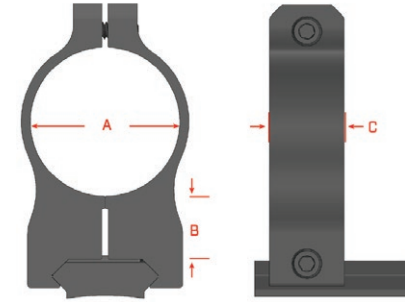
VAPOR LEVELS

PART NUMBER	TUBE SIZE
V650M	1"
V651M	30mm
V652M	34mm



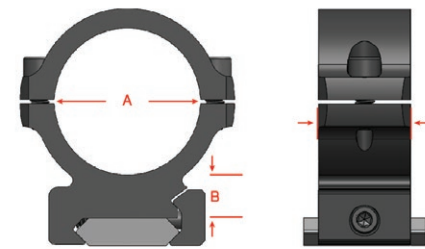
VAPOR VERTICAL RINGS

PART NUMBER	RING HEIGHT	FITS OBJECTIVE SIZE* <i>(General Ranges)</i>	DIMENSION A	DIMENSION B†	DIMENSION C	WEIGHT
V400M	Low	20-36mm objective	1 inch	.225"	.600"	1.6 oz
V401M	Medium	36-42mm objective	1 inch	.350"	.600"	1.9 oz
V402M	High	42-52mm objective	1 inch	.550"	.600"	2.2 oz
V413M	Low	24-42mm objective	30mm	.225"	.600"	1.8 oz
V414M	Medium	42-52mm objective	30mm	.350"	.600"	2.0 oz
V415M	High	50-56mm objective	30mm	.550"	.600"	2.3 oz



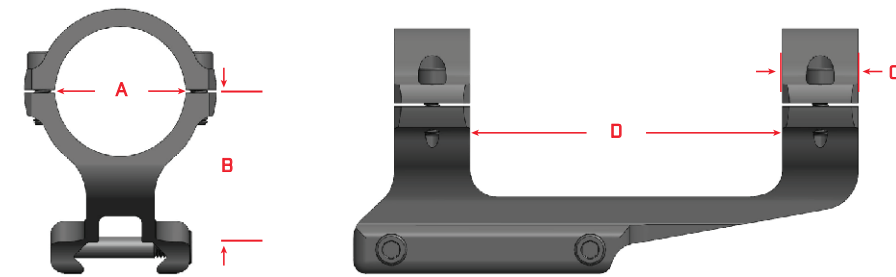
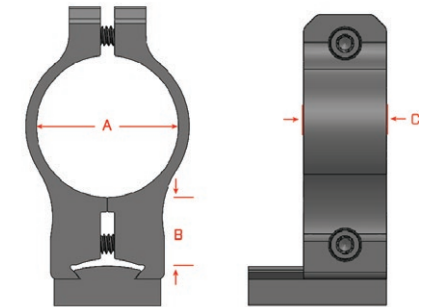
VAPOR HORIZONTAL RINGS

PART NUMBER	RING HEIGHT	FITS OBJECTIVE SIZE* <i>(General Ranges)</i>	DIMENSION A	DIMENSION B†	DIMENSION C	WEIGHT
V600M	Low	20-36mm objective	1 inch	.230"	.750"	2.5 oz
V601M	Medium	36-42mm objective	1 inch	.350"	.750"	2.8 oz
V602M	High	42-52mm objective	1 inch	.550"	.750"	3.1 oz
V613M	Low	24-42mm objective	30mm	.230"	.750"	2.7 oz
V614M	Medium	42-52mm objective	30mm	.350"	.750"	2.9 oz
V615M	High	50-56mm objective	30mm	.550"	.750"	3.2 oz



VAPOR RIMFIRE RINGS - 3/8" Dovetail Only

PART NUMBER	RING HEIGHT	FITS OBJECTIVE SIZE* <i>(General Ranges)</i>	DIMENSION A	DIMENSION B†	DIMENSION C	WEIGHT
V420M	Low	20-36mm objective	1 inch	.315"	.600"	1.6 oz
V421M	Medium	36-42mm objective	1 inch	.450"	.600"	1.9 oz
V422M	High	42-52mm objective	1 inch	.615"	.600"	2.2 oz



VAPOR MSR 1 PC MOUNTS

PART NUMBER	RING HEIGHT	FITS OBJECTIVE SIZE* <i>(General Ranges)</i>	DIMENSION A	DIMENSION B†	DIMENSION C	DIMENSION D	WEIGHT	RING STYLE
V4001M	Ultra High	MSR Ideal Height	1 inch	1.40"	.750"	3.05"	4.7 oz	OMOA
V4011M	Ultra High	MSR Ideal Height	1 inch	1.39"	.750"	3.05"	4.7 oz	20MOA
V4002M	Ultra High	MSR Ideal Height	30mm	1.40"	.750"	3.05"	4.7 oz	OMOA
V4012M	Ultra High	MSR Ideal Height	30mm	1.39"	.750"	3.05"	4.7 oz	20MOA

* All sizes listed are approximate, every firearm and scope set up varies.

† For the RINGS - Measurement is from top of base to the bottom of scope tube. [see diagram example on page 14]

† For the 1 PIECE MOUNTS - Measurement is from the top of the rail to the center of the scope tube.



SKYLINE

PRECISION MOUNTS & ACCESSORIES



Precision Mount, OMOA



WHY WE DESIGNED THESE:

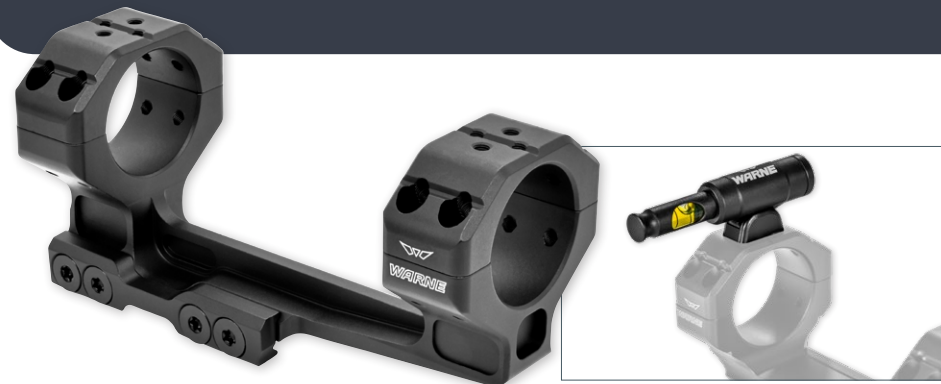
1 PIECE MODULARITY - The Warne® Skyline™ Precision Mount has been engineered from the ground up with the precision rifle shooter/competitor in mind. Machined from 7075 T6 aluminum billet, featuring 2 integral recoil lugs along with 4 mounting cross bolts and 10 unique accessory mounting locations, the precision mount easily handles the rigors of competition or hard use, military type environments.

KEY FEATURES:

- AB**
7075 Billet
- Ns**
NATO/STANAG
- Hc**
Hardcoat Anodized Finish
- H₂O**
Element Proof
- AR**
MSR Ideal Height

BEST USES:

- LR**
Long Range
- Ts**
Target Shooting
- LEM**
LE/Military
- Co**
Competition



Precision Mount - Cantilever, 20MOA

7852M Precision Mount Level



7854M Precision Mount Data Card Holder*



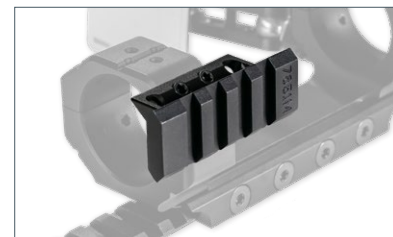
7899L Data Card Label Refill - 50pk
*Extra adhesive labels are sold separately



USL1 (1"), USL30 (30mm), USL34 (34mm), USL35 (35mm) Universal Scope Level



7850M Precision Mount 0° Accessory Rail

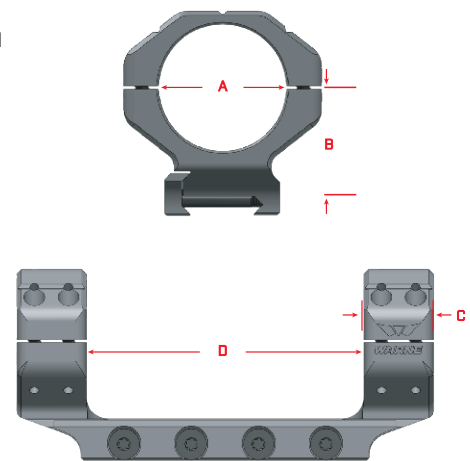


7851M Precision Mount 90° Accessory Rail



7855M (30mm), 7856M (34mm), 7857M (35mm) Universal Data Card Holder*

- Precision Mount Data Card Holder - Attaches exclusively to the Precision Mount in right or left configurations, and gives shooters a major advantage by its mounting location and ease of use.
- Universal Data Card Holder - Easily attaches to the scope tube, in left or right configurations, for a universal fit. Data is displayed in a convenient location to make quick and accurate target transitions, and the articulating arm allows for low profile storage while not in use.
- Precision Mount Level - Attaches exclusively to the top of the Precision Mount, in left or right configurations, to keep the scope reticle consistently level.
- Universal Scope Mount Level - Easily attaches to scope tube, in left or right configurations, to keep the scope reticle level without changing position on the rifle.
- Precision Mount 0° Accessory Rail - Attaches exclusively to the Precision Mount in 0° & 45° configurations.
- Precision Mount 90° Accessory Rail - Attaches exclusively to the Precision Mount in a 90° configuration.
- Data Card Label Refill - Adhesive labels come in a 50 pack to replace when needed.



PART NUMBER	RING HEIGHT	FITS OBJECTIVE SIZE* <i>(General Ranges)</i>	DIMENSION A	DIMENSION B†	DIMENSION C	DIMENSION D	WEIGHT	MOUNT STYLE
7814M	Medium	Up to 68mm outside	30mm	1.181"	.813"	3.23"	7.10 oz	Standard, OMOA
7817M	Ultra High	MSR Ideal Height	30mm	1.386"	.813"	3.23"	7.50 oz	Standard, OMOA
7818M 7818-20MOA	Ultra High	MSR Ideal Height	30mm	1.540"	.813"	3.23"	6.40 oz	Cantilever, OMOA Cantilever, 20MOA
7821M	Medium	Up to 72mm outside	34mm	1.181"	.813"	3.23"	7.10 oz	Standard, OMOA
7824M	Ultra High	MSR Ideal Height	34mm	1.386"	.813"	3.23"	7.50 oz	Standard, OMOA
7825M 7825-20MOA	Ultra High	MSR Ideal Height	34mm	1.540"	.813"	3.23"	6.40 oz	Cantilever, OMOA Cantilever, 20MOA
7841M	Medium	Up to 72mm outside	35mm	1.181"	.813"	3.23"	7.10 oz	Standard, OMOA
7842M 7842-20MOA	Ultra High	MSR Ideal Height	35mm	1.540"	.813"	3.23"	6.40 oz	Cantilever, OMOA Cantilever, 20MOA
7844M	Ultra High	MSR Ideal Height	35mm	1.386"	.813"	3.23"	7.50 oz	Standard, OMOA

* All sizes listed are approximate, every firearm and scope set up varies.
† Measurement is from the top of the rail to the center of the scope tube.

TACTICAL

MSR 1 PIECE MOUNTS



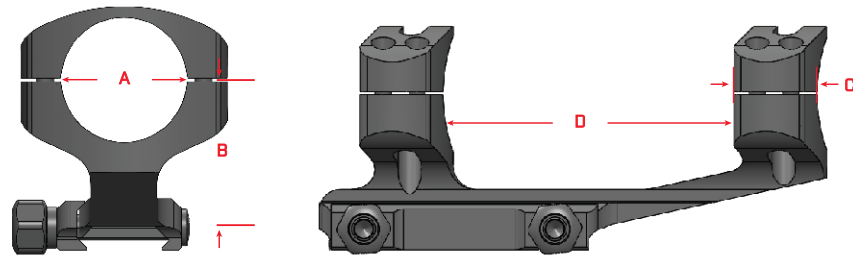
WHY WE DESIGNED THESE:

STYLISH 1 PIECE CANTILEVER MSR MOUNT - Designed to have the "Ideal Height" for Modern Sporting Rifles, the X-SKEL® places the optic at the proper height and forward position on AR platforms. Skeletonized design along with steel hardware and threaded inserts provides a lightweight and rigid mounting platform.

KEY FEATURES:

AL	Hc	Ck	AR	QD	RtZ	SI	LW	LR	Ts	HU	LEM	Co
Aluminum	Hardcoat Anodized Finish	Cerakote Finish	MSR Ideal Height	Quick Detach	Return to Zero	Steel Inserts	Lightweight	Long Range	Target Shooting	Hunting	LE/Military	Competition

BEST USES:



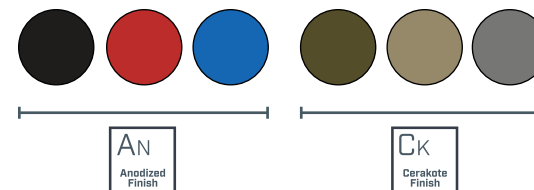
PART NUMBER	RING HEIGHT	FITS OBJECTIVE SIZE* [General Ranges]	DIMENSION A	DIMENSION B†	DIMENSION C	WEIGHT	FINISH COLOR
XSKE1	Ultra High	MSR Ideal Height	1 inch	1.435"	.750"	6.7 oz	Black, Red, Blue, Dark Earth, OD Green, Tactical Grey
XSKE30	Ultra High	MSR Ideal Height	30mm	1.435"	.750"	6.7 oz	Black, Red, Blue, Dark Earth, OD Green, Tactical Grey
XSKE34	Ultra High	MSR Ideal Height	34mm	1.435"	.750"	6.7 oz	Black, Red, Blue, Dark Earth, OD Green, Tactical Grey
QDXSKE1	Ultra High	MSR Ideal Height	1 inch	1.435"	.750"	8.2 oz	Black, Dark Earth
QDXSKE30	Ultra High	MSR Ideal Height	30mm	1.435"	.750"	8.2 oz	Black, Dark Earth
QDXSKE34	Ultra High	MSR Ideal Height	34mm	1.435"	.750"	8.5 oz	Black, Dark Earth
LRSKE1 [20MOA]	Ultra High	MSR Ideal Height	1 inch	1.435"	.750"	6.7 oz	Black, Dark Earth, Tactical Grey
LRSKE30 [20MOA]	Ultra High	MSR Ideal Height	30mm	1.435"	.750"	6.7 oz	Black, Dark Earth, Tactical Grey
LRSKE34 [20MOA]	Ultra High	MSR Ideal Height	34mm	1.435"	.750"	6.7 oz	Black, Dark Earth, Tactical Grey
RAMP1	Ultra High	MSR Ideal Height	1 inch	1.435"	.750"	9.5 oz	Black
RAMP30	Ultra High	MSR Ideal Height	30mm	1.435"	.750"	9.5 oz	Black
SHXSKE30	Super High	Any	30mm	1.90"	.750"	7.8 oz	Black, Dark Earth
SHXSKE34	Super High	Any	34mm	1.90"	.750"	7.8 oz	Black, Dark Earth

* All sizes listed are approximate, every firearm and scope set up varies.
† Measurement is from the top of the rail to the center of the scope tube.

- The X-SKEL® Mount is our most popular one piece mounting system used in competition and hunting trips worldwide.
- The LR-SKEL Mount offers 20 MDA built-in slope for long range precision shooting. This allows additional elevation adjustment in your optic when shooting ranges over 600 yards.
- The SUPER HIGH X-SKEL® Places optic at correct height for heads up/CQB shooting positions.
- The QD X-SKEL Patent pending dual quick detach levers for fast toolless installation and removal.
- The Rapid Acquisition Multi-Sight Platform, or R.A.M.P., is our Gen 1 cantilever-style scope mounting platform that allows correct scope installation on the popular AR-15 rifle, and also offers unique 45° mounting rails on both sides of the optic.

DETERMINING YOUR ORDER NUMBER:

Combine Part Number with the Available Finish Letter at the end:
TW= Black R= Red B= Blue DE=Dark Earth OD=OD Green TG=Tactical Grey
(Example: XSKE1 + Red= XSKE1R)



WHY WE DESIGNED THESE:

COMPACT 45 DEGREE RAIL - The Warne® A645 Side Mount is designed as a simple, yet elegant solution for mounting accessories at a 45 degree angle on modern sporting rifles. The A645 fits any picatinny rail, and can be used to mount a small red dot or reflex sight, flashlight, laser device etc. When using a magnified optic as the primary sight, and a pair of A645 mounts, BUIS can be used as a secondary sighting system for quick target acquisition. The sleek lines, light weight and versatility of the A645 make it a valuable addition to any MSR.

- 45° offset offers a mounting position for flashlights, lasers, slings or open sights without obstructing your sight line.
- Four Mil-Spec 1913 cross slots to accommodate most Picatinny style accessories.
- Machined aluminum with 6 durable finishes – Anodized in matte Black, Red, Blue and Cerakoted in Dark Earth, OD Green and Tactical Grey.

KEY FEATURES:

- AL** Aluminum
- AN** Anodized Finish
- CK** Cerakote Finish
- LW** Lightweight

BEST USES:

- Co** Competition
- Ts** Target Shooting
- LEM** LE/Military



WHY WE DESIGNED THESE:

VERSATILE RED DOT MOUNTS - With the increasing number of electro optics being used, finding a compatible mounting system can be confusing. We designed our Red Dot Mounts to fit a wide range of different optics based on the mount footprint or attachment style. All riser mounts that we offer share a robust mounting base, while the top is engineered specifically for different red dot styles.

KEY FEATURES:

- AL** Aluminum
- AN** Anodized Finish
- LW** Lightweight

BEST USES:

- Co** Competition
- Ts** Target Shooting
- LEM** LE/Military
- HU** Hunting



6101M
Aimpoint T1-T2



6102M
Picatinny Rail



6103M
Reflex



6104M
Holosun AEMS



6105M
Holosun AEMS
Super High 2.2"



6106M
Aimpoint T1-T2
Super High 2.2"



6107M
Aimpoint ACRO



6108M
Shotgun Rib Mount



6109M
Low Profile Reflex
Mount



6110M
45° Offset Reflex
Mount



6150M
Trijicon® RMR®
Sealing Plate

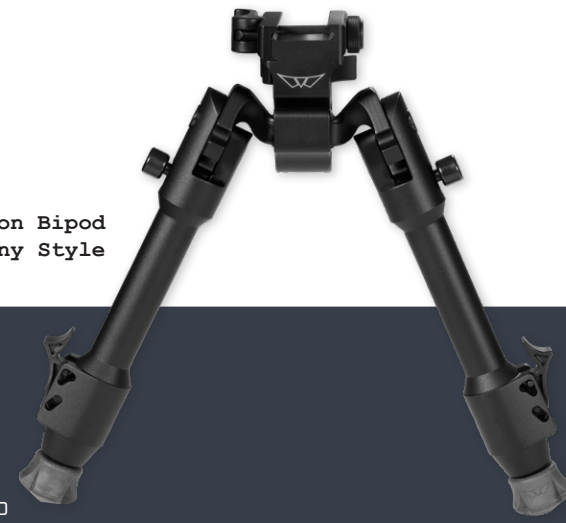
PART NUMBER	FINISH COLOR
A645TW	Black
A645R	Red
A645BU	Blue
A645DE	Dark Earth
A645OD	OD Green
A645TG	Tactical Grey



SKYLINE

PRECISION

7901M
Precision Bipod
Picatinny Style



WHY WE DESIGNED THESE :

BIPOD PERFECTION ACHIEVED - The Warne® Skyline® Precision Bipod is the most functional, ergonomic and strongest bipod on the market today. Designed to attach to your picatinny or ARCA rail, the Skyline™ bipod allows the shooter to make quick, one-handed height adjustments, as well as smooth cant and panning ability for use on uneven terrain or less than ideal positions.

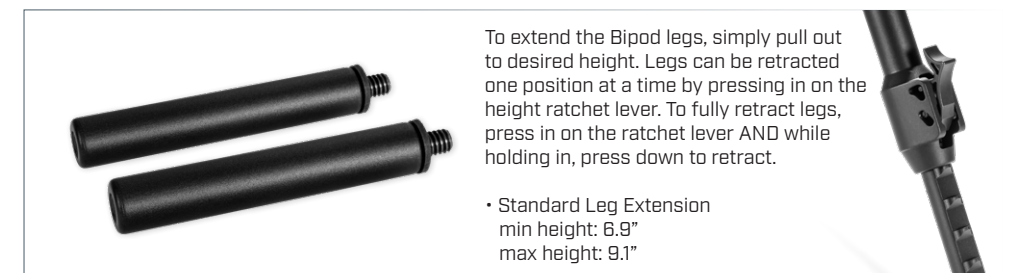
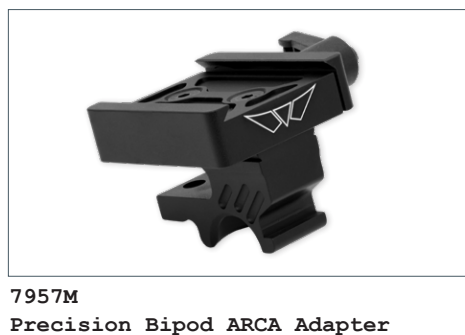
- Quickly attaches to any Picatinny type rail (7901M) or ARCA rail (7902M)
- Rapid deploy legs lock at: 0°, 45°, 90°
- One handed adjustability
- 22° total cant/44° total pan
- Panning movement can be disabled, allowing only cant.
- Design Patent 10,408,555 & 10,794,655

KEY FEATURES :

AB 7075 Billet	AL Aluminum	Hc Hardcoat Anodized Finish	QD Quick Detach
--------------------------	-----------------------	---------------------------------------	---------------------------

BEST USES :

LR Long Range	Ts Target Shooting	LEM LE/Military	HU Hunting	Co Competition
-------------------------	------------------------------	---------------------------	----------------------	--------------------------



SKYLINE LITE

WHY WE DESIGNED THESE:

NEXT LEVEL OF STRENGTH & VERSILITY - The Warne® Skyline® Lite Bipod is rugged and adaptable to suit any shooting endeavor. Machined from aircraft-grade aluminum, it was engineered to be an extremely stable, yet lightweight platform, packed with essential features to complement rapid-fire and precision-shooting alike. The Skyline Lite Bipod allows for an impressive 4.65 inches of height adjustment and 44° of smooth cant range that is easily adjusted without coming off target.

BODY

- Available in quick-detach, fixed or ARCA head orientations
- A.R.M.S.® 17S universal head interface accepts multiple mounting configurations
- Reversible head
- 44° of total cant range
- Cant tension lever
- One-handed adjustability

LEGS

- Rapid leg deployment from horizontal
- 3 additional leg positions at 0°, 45°, and 90°
- 13 height adjustment increments
- Minimum height: 6.5"
- Maximum height: 11.15"
- 13" extended footprint
- Accepts Atlas®-style feet

KEY FEATURES:

AB	AL	Hc	Qd
7075 Billet	Aluminum	Hardcoat Anodized Finish	Quick Detach

BEST USES:

LR	Ts	LEM	HU	Co
Long Range	Target Shooting	LE/Military	Hunting	Competition



7911M
Lite Bipod QD, Picatinny Rail



7912M
Lite Bipod ARCA Rail



7913M
Lite Bipod Fixed, Picatinny Rail



7958M
Lite Bipod QD Head, Picatinny



7955M
Lite Bipod ARCA



TACTICAL

MAGAZINE EXTENSIONS

WHY WE DESIGNED THESE:

ENHANCE YOUR CAPACITY - Warne® Magazine Extensions are available in both increased capacity models, and zero capacity models for 10 round capacity limits. These extensions feature an ergonomic shape that allows for better insertion, and finger grooves, allowing the magazine to be stripped from the handgun if needed.

- Machined from 6061 T6 aluminum billet
- Type 2 hardcoat anodize finish for abrasion and corrosion resistance
- T-10 Torx head screw and washer for retention
- Designed and Made in USA

KEY FEATURES:

AL Aluminum	Hc Hardcoat Anodized Finish	Zc Zero Capacity	Mc Mid Capacity	Lc Large Capacity
-----------------------	---------------------------------------	----------------------------	---------------------------	-----------------------------

BEST USES:

Co Competition	Ts Target Shooting	LEM LE/Military	Co Competition
--------------------------	------------------------------	---------------------------	--------------------------



PART NUMBER	HANDGUN MODEL	CAPACITY	FINISH COLOR
3001	CZ 75	+0	Black
3002	CZ 75	+0	Blue
3003	CZ 75	+0	Dark Earth
3004	CZ 75	+0	Grey
3005	CZ 75	+0	Red
3006	CZ 75	+3, 9mm	Black
3007	CZ 75	+3, 9mm	Blue
3008	CZ 75	+3, 9mm	Dark Earth
3009	CZ 75	+3, 9mm	Grey
3010	CZ 75	+3, 9mm	Red
3011	CZ 75	+4, 9mm	Black
3012	CZ 75	+4, 9mm	Blue
3013	CZ 75	+4, 9mm	Dark Earth
3014	CZ 75	+4, 9mm	Grey
3015	CZ 75	+4, 9mm	Red
3101	Glock 17 & 22	+0	Black
3102	Glock 17 & 22	+0	Blue
3103	Glock 17 & 22	+0	Dark Earth
3104	Glock 17 & 22	+0	Grey
3105	Glock 17 & 22	+0	Red
3106	Glock 17 & 22	+3, 9mm/+2, 40cal.	Black
3107	Glock 17 & 22	+3, 9mm/+2, 40cal.	Blue
3108	Glock 17 & 22	+3, 9mm/+2, 40cal.	Dark Earth
3109	Glock 17 & 22	+3, 9mm/+2, 40cal.	Grey
3110	Glock 17 & 22	+3, 9mm/+2, 40cal.	Red
3111	Glock 17 & 22	+5, 9mm/+4, 40cal.	Black
3112	Glock 17 & 22	+5, 9mm/+4, 40cal.	Blue
3113	Glock 17 & 22	+5, 9mm/+4, 40cal.	Dark Earth
3114	Glock 17 & 22	+5, 9mm/+4, 40cal.	Grey
3115	Glock 17 & 22	+5, 9mm/+4, 40cal.	Red
3116	Glock 19 & 23	+0	Black
3117	Glock 19 & 23	+0	Blue
3118	Glock 19 & 23	+0	Dark Earth
3119	Glock 19 & 23	+0	Grey
3120	Glock 19 & 23	+0	Red
3121	Glock 19 & 23	+3, 9mm/+2, 40cal.	Black
3122	Glock 19 & 23	+3, 9mm/+2, 40cal.	Blue
3123	Glock 19 & 23	+3, 9mm/+2, 40cal.	Dark Earth
3124	Glock 19 & 23	+3, 9mm/+2, 40cal.	Grey
3125	Glock 19 & 23	+3, 9mm/+2, 40cal.	Red
3126	Glock 19 & 23	+5, 9mm/+4, 40cal.	Black
3127	Glock 19 & 23	+5, 9mm/+4, 40cal.	Blue
3128	Glock 19 & 23	+5, 9mm/+4, 40cal.	Dark Earth
3129	Glock 19 & 23	+5, 9mm/+4, 40cal.	Grey
3130	Glock 19 & 23	+5, 9mm/+4, 40cal.	Red
3131	Glock 42	+2	Black
3132	Glock 43	+2	Black
3133	Glock 43X & 48	+2	Black

PART NUMBER	HANDGUN MODEL	CAPACITY	FINISH COLOR
3201	Sig Sauer P320	+0, 9mm	Black
3202	Sig Sauer P320	+0, 9mm	Blue
3203	Sig Sauer P320	+0, 9mm	Dark Earth
3204	Sig Sauer P320	+0, 9mm	Grey
3205	Sig Sauer P320	+0, 9mm	Red
3206	Sig Sauer P320	+3/2, 9mm	Black
3207	Sig Sauer P320	+3/2, 9mm	Blue
3208	Sig Sauer P320	+3/2, 9mm	Dark Earth
3209	Sig Sauer P320	+3/2, 9mm	Grey
3210	Sig Sauer P320	+3/2, 9mm	Red
3211	Sig Sauer P320	+5/4, 9mm	Black
3212	Sig Sauer P320	+5/4, 9mm	Blue
3213	Sig Sauer P320	+5/4, 9mm	Dark Earth
3214	Sig Sauer P320	+5/4, 9mm	Grey
3215	Sig Sauer P320	+5/4, 9mm	Red
3301	Smith & Wesson M&P 9 & 40	+0	Black
3302	Smith & Wesson M&P 9 & 40	+0	Blue
3303	Smith & Wesson M&P 9 & 40	+0	Dark Earth
3304	Smith & Wesson M&P 9 & 40	+0	Grey
3305	Smith & Wesson M&P 9 & 40	+0	Red
3306	Smith & Wesson M&P 9 & 40	+3, 9mm/+2, 40cal.	Black
3307	Smith & Wesson M&P 9 & 40	+3, 9mm/+2, 40cal.	Blue
3308	Smith & Wesson M&P 9 & 40	+3, 9mm/+2, 40cal.	Dark Earth
3309	Smith & Wesson M&P 9 & 40	+3, 9mm/+2, 40cal.	Grey
3310	Smith & Wesson M&P 9 & 40	+3, 9mm/+2, 40cal.	Red
3311	Smith & Wesson M&P 9 & 40	+5, 9mm/+4, 40cal.	Black
3312	Smith & Wesson M&P 9 & 40	+5, 9mm/+4, 40cal.	Blue
3313	Smith & Wesson M&P 9 & 40	+5, 9mm/+4, 40cal.	Dark Earth
3314	Smith & Wesson M&P 9 & 40	+5, 9mm/+4, 40cal.	Grey
3315	Smith & Wesson M&P 9 & 40	+5, 9mm/+4, 40cal.	Red

PART NUMBER	RIFLE MAG MODEL	CAPACITY	FINISH COLOR
5001	PMAG	+5, .556	Black
5002	PMAG	+5, .556	Blue
5003	PMAG	+5, .556	Dark Earth
5004	PMAG	+5, .556	Grey
5005	PMAG	+5, .556	Red
5006	PMAG	+5, .762	Black
5007	PMAG	+5, .762	Blue
5008	PMAG	+5, .762	Dark Earth
5009	PMAG	+5, .762	Grey
5010	PMAG	+5, .762	Red
5011	PMAG AICS	+4, .762	Black
5012	PMAG AICS	+4, .762	Blue
5013	PMAG AICS	+4, .762	Dark Earth
5014	PMAG AICS	+4, .762	Grey
5015	PMAG AICS	+4, .762	Red



FITMENT CHART — ALPHABETICAL ORDER BY FIREARM MANUFACTURER

FIREARM MANUFACTURER	MODEL	FITMENT PART NUMBER	SEE PAGE
Anschutz	All Drilled and Tapped Dovetail Only	M824/824M	6
		See Rimfire Rings	15
AR10-AR15	MSR	Vapor MSR, XSKEL Series, Skyline Cantilever, Red-Dot Riser Series	18, 20, 22, 24, 25
Benelli	R1, Argo Super Black Eagle, SBEII	M848/848M	6
		M894/870M, M902/818M	6
Beretta	Mato	M902/818M	6
Bergara	B-14 Long Action B-14 Short Action B-14R Rimfire LRP Short-Action w/8-40 screws Premier Long-Action w/8-40 screws Premier Short-Action w/8-40 screws	V402/476M, M902/876M, V474M, V474-20MOA, 7674M, 7674-20MOA, M674M, M674-20MOA	4, 6, 8
		V402/476M, M902/876M, V473M, V473-20MOA, 7673M, 7673-20MOA, M673M, M673-20MOA	4, 6, 8
		V402/476M, M902/876M, V473M, V473-20MOA, 7673M, 7673-20MOA, M673M, M673-20MOA	4, 6, 8
		M912/873M, V471M, V471-20MOA, 7671M, 7671-20MOA	4, 6, 8
		M912/873M, V472M, V472-20MOA, 7672M, 7672-20MOA	4, 6, 8
		M912/873M, V471M, V471-20MOA, 7671M, 7671-20MOA	4, 6, 8
BRNO	ZKK 600, 601, 602	See CZ 550, 557 Rings	16
Browning	.22 Stalker, Micro Medallion, WSM AB3 Long Action AB3 Short Action A-Bolt 8 A-Bolt II Long Action A-Bolt .22, A-Bolt .22 Mag A-Bolt 22 Mag Dovetail A-Bolt Slug Gun [Shotgun] A-BoltWSSM BAR, BAR 11, Mark II BBR BL-22 Rimfire BLR [Steel Receiver] BPR [Pump], Maral High Power Bolt Action [Mauser Action] T-Bolt [Drilled and Tapped] T-Bolt - Dovetail Only X-Bolt Long Action X-Bolt Magnum Action X-Bolt Short Action X-Bolt Super Short Action	M918/918M	6
		V412/412M, M912/912M	6, 8
		V412/412M, M912/912M	6, 8
		M918/918M	6
		M918/918M	6
		See Rimfire Rings	15, 18
		M904/922M	6
		M918/919M	6
		M848/848M, A996M, M996M	6
		V402/424M, M902/924M	6, 8
		See Rimfire Rings	15, 18
		M838/838M	6
		M848/848M	6
		M902/830M	6
		M824/824M	6
		See Rimfire Rings	15, 18
V427/429M, M927/929M, 7642M, 7642-20MOA	4, 6, 8		
V427/429M, M927/929M, 7643M, 7643-20MOA	4, 6, 8		
V427/429M, M927/929M, 7641M, 7641-20MOA	4, 6, 8		
7640M, 7640-20MOA	4		
BSA	Monarch Round Receiver	V402/476M, M902/876M	6, 8
Carl Gustaf	2000	M902/902M	6
Charles Daly	Mauser Mini Mauser	M902/830M	6
		M880/806M	6
Christensen Arms	Mesa, Ridgeline, Summit Ti, Traverse Long-Action Mesa, Ridgeline, Summit Ti, Traverse Short-Action	V402/476M, M902/876M, V474M, V474-20MOA, 7674M, 7674-20MOA	4, 6, 8
		V402/476M, M902/876M, V473M, V473-20MOA, 7673M, 7673-20MOA	4, 6, 8
Churchill	Highlander	V402/476M, M902/876M	6, 8
CIL	950, 950C 972C	M898/936M	6
		M902/830M	6
Colt	57 Coltsman .223 .243 .308 Round Top Sauer	M902/830M	6
		M838/838M	6
		M902/898M	6
Cooney	71	V402/424M, M902/924M	6, 8
Cooper	16, 22, 50, 52, 54, 56 21, 36, 38, 57	M898/848M	6
		M888/842M	6
CVA	Cascade, Hunter Paramount Muzzleloader Scout	V402/402M, M902/902M	6, 8
		V473M, V473-20MOA, 7673M, 7673-20MOA	4, 8
		M980/982M	6
CZ	452, 455, 512 w/ 3/8" - 11mm Dovetail 457 w/ 3/8 - 11mm Dovetail 527 - Factory Dovetail 550, 557 Factory Dovetails 600 Compact Action Lux .223 600 Long-Action Lux 8 Range 600 Short-Action Lux 8 Range	452, 455, 512 w/ 3/8 - 11mm Dovetail	15
		457 w/ 3/8 - 11mm Dovetail	15
		527 - Factory Dovetails	16
		550, 557 - Factory Dovetails	16
		600 Compact Action Lux .223	6, 8
		600 Long-Action Lux 8 Range	4, 6, 8
		600 Short-Action Lux 8 Range	4, 6, 8
Dakota	76, 96	M902/818M	6
Enfield	Winchester 70 Style	V402/424M, M902/924M	6, 8
FN	Mauser SCAR	See Mauser Listing	
		Vapor MSR, XSKEL Series, Skyline Cantilever, A645, Red-Dot Riser Series	18, 20, 22, 24, 25
Franchi	Momentum, Elite Long-Action Momentum, Elite Short-Action	V406/476M, M902/876M	6, 8
		V406/476M, M902/876M	6, 8

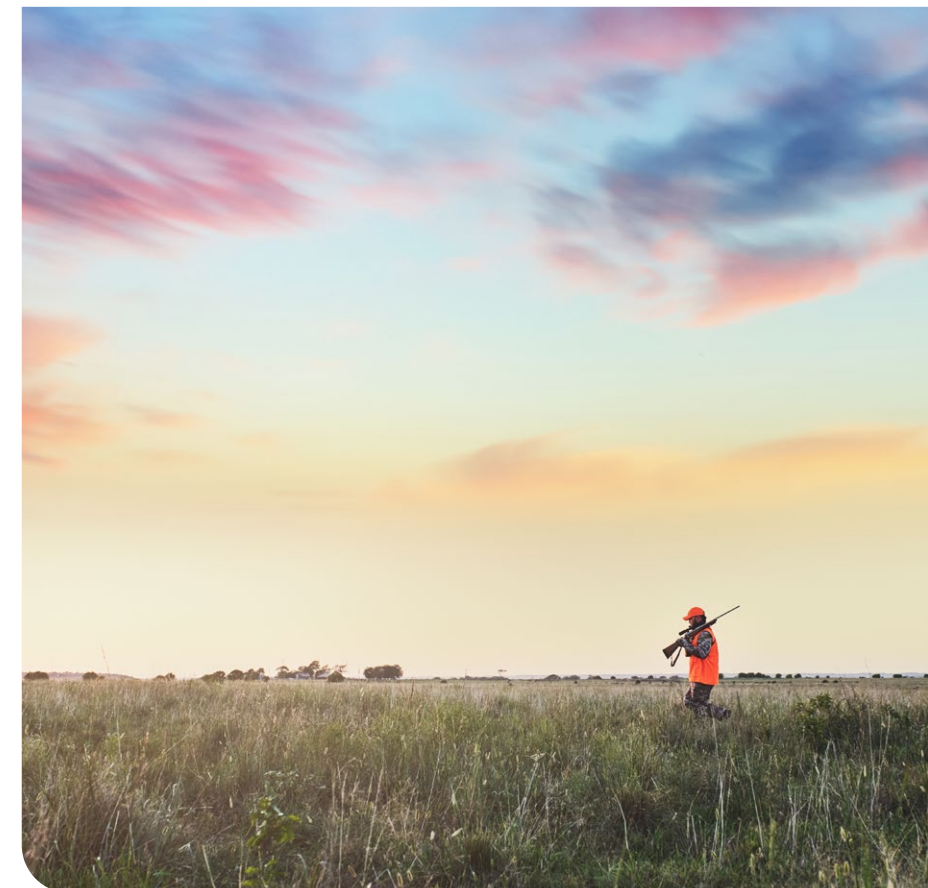
FIREARM MANUFACTURER	MODEL	FITMENT PART NUMBER	SEE PAGE		
H&R	Handy Rifle Post 1973 300 & 301 Pre 1973 300 & 301 & 330 & 370	M981M	6		
		M898/848M	6		
		M902/830M	6		
Henry	Lever Action Rimfire w/ 3/8" Dovetail Lever Gun H009, H010, H014 AR-7 Survival Rifle, Pump Action Octagon	See Rimfire Rings	15, 18		
		M864/864M See Rimfire Rings	6 15, 18		
Herters	J-9 U-9 Round Top [Drilled and Tapped]	M898/828M	6		
		V402/476M, M902/876M	6, 8		
High Standard	High Power	M898/828M	6		
Howa	1500 Long-Action 1500 Short-Action Mini Action	V402/476M, M902/876M, V451M, V451-20MOA, 7651M, 7651-20MOA	4, 6, 8		
		V402/476M, M902/876M, V450M, V450-20MOA, 7650M, 7650-20MOA	4, 6, 8		
		V402/476M, M902/876M, 7656M, 7656-20MOA	4, 6, 8		
HS Precision	Remington 700 Style Long Action [8-40 Screws] Remington 700 Style Short Action [8-40 Screws] Savage Style Long Action [8-40 Screws] Savage Style Short Action [8-40 Screws]	M912/873M, V472M, V472-20MOA, 7672M, 7672-20MOA	4, 6, 8		
		M912/873M, V471M, V471-20MOA, 7671M, 7671-20MOA	4, 6, 8		
		V412/412M, M912/912M, V465M, V465-20MOA, 7665M, 7665-20MOA	4, 6, 8		
		V412/412M, M912/912M, V464M, V464-20MOA, 7664M, 7664-20MOA	4, 6, 8		
Husqvarna	HVA Small Ring, HVA 1600, HVA 1900	M898/828M	6		
Interarms	Mark X Mini Mauser Mark X, Viscount	Mark X Mini Mauser	6		
		Mark X, Viscount	6		
Ithaca	LSA 55 & LSA 65 [Receiver Dovetail] LSA 55, LSA 65	See Tikka Dovetail Rings	16		
		M932/932M	6		
J.C. Higgins	Model 50, Commerical Mauser	M902/831M	6		
Kimber	Long Action 84L Magnum Action 8400 Magnum Short Action 84M Short Mag Action 8400 WSM	Long Action 84L	4, 8		
		Magnum Action 8400 Magnum	4, 6		
		Short Action 84M	4, 7		
		Short Mag Action 8400 WSM	4, 6		
Kimber of Oregon	Of Oregon M82 Hornet Of Oregon M84 Of Oregon M89 BGR	M888/842M	6		
		M888/842M	6		
		V402/424M, M902/924M	6, 8		
Knight	All Round Barrel Models MK-85, BK-92, T-Bolt	M826/826M	6		
		M932/932M	6		
Marlin	1894, 444, Glenfield 30, Zane Grey 336, 336C, 36, 30AS, 375, 1895 Camp 9, Camp 45, 62 Model XT Rimfire Model XT Rimfire XL-7 Long Action XS-7 Short Action XT-17, XT-22	V464/464M, M864/864M, M866/864M, A997M	6, 8		
		V464/464M, M864/864M, M866/864M, A997M	6, 8		
		V464/464M, M864/864M, M866/864M	6, 8		
		M825/825M	6		
		V427/429M, M927/927M	6, 9		
		V402/424M, M902/924M, 7676M, 7676-20MOA	4, 6, 8		
		V402/424M, M902/924M, 7675M, 7675-20MOA V425/425M, M825/825M	4, 6, 8 6, 8		
Mauser	98 [3 Hole Receiver] M18 M96 Swedish Un-Altered M98 Altered, FN Commercial 98, M98 Altered M98 Altered, JC Higgins Commercial Mauser FN w/.860 RHS M98 Un-Altered Mini Mauser Small Ring G33-40, M96 Swedish Altered	M960M	6		
		V402/476M, M902/876M, V474M, V474-20MOA, 7674M, 7674-20MOA	4, 6, 8		
		M898/829M	6		
		M902/830M	6		
		M902/831M	6		
		M902/832M	6		
		M880/806M	6		
		M898/828M	6		
		V402/424M, M902/924M	6, 8		
Mossberg	464 100 ATR, 4X4, Patriot, MVP 1500, 1700 680, 800, 50, 51, 151, 350, 351 Plinkster 702, 801B, 802, 817 with 3/8" Dovetail	M827/827M	6		
		M902/877M	6		
		V402/476M, M902/876M	6, 8		
		M826/826M	6		
		See Rimfire Rings	15, 18		
		MSR, Modern Sporting Rifle	MSR	Vapor MSR, XSKEL Series, Skyline Cantilever, A645, Red-Dot Riser Series	18, 20, 22, 24, 25
		Musgrave	MK I, MK II MK III, MK IV	M898/848M	6
M902/830M	6				
Navy Arms	Country Boy Muzzleloader	M902/902M	6		
New Frontier	Wind River, Beartooth, Cascade	M980/980M, M980/982M	6		
Nosler	M48 Long-Action M48 Short-Action	V402/476M, M902/876M, 7683M, 7683-20MOA	4, 6, 8		
		V402/476M, M902/876M, 7682M, 7682-20MOA	4, 6, 8		
Parker Hale	1000, 1000C, 1100, 1200, 1700	M902/830M	6		
Pierce	Actions Drilled for 8-40 screws	V412/412M, M912/912M	6, 8		
Proof Research	Elevation Short-Action	V402/476M, M902/876M	6, 8		
Raptor Arms	Remington 700 Long Style	V402/476M, M902/876M, V474M, V474-20MOA, 7674M, 7674-20MOA	4, 6, 8		

FIREARM MANUFACTURER	MODEL	FITMENT PART NUMBER	SEE PAGE	
Remington	783	V402/402M, M902/902M	6, 8	
	798	M902/830M	6	
	799	M880/806M	6	
	30 & 720	M848/848M	6	
	504, 547	M956/956M	6	
	541-T, 541-S	M826/826M	6	
	597 Dovetail	See Rimfire Rings	15, 18	
	700 Long Action	V402/476M, M902/876M, V474M, V474-20MOA, 7674M, 7674-20MOA	4, 6, 8	
	700 Police Long Action (8-40 Screws), XCR 338 Lapua	M912/873M, V472M, V472-20MOA, 7672M, 7672-20MOA	4, 6, 8	
	700 Police Short Action (8-40 screws)	M912/873M, V471M, V471-20MOA, 7671M, 7671-20MOA	4, 6, 8	
	700 Short Action	V402/476M, M902/876M, V473M, V473-20MOA, 7673M, 7673-20MOA	4, 6, 8	
	740, 742, 760	M892/868M, A994M	6	
	7400, 7600, 7615, Four, Six, New 750	M894/870M, A995M	6	
	78, 721, 722, 725, Muzzleloader	V402/476M, M902/876M	6, 8	
	783 Long-Action	V402/402M, M902/902M	6, 8	
	783 Short-Action	V402/402M, M902/902M	6, 8	
	Genesis Muzzleloader	M980/980M, M980/982M	6	
	New Model 7 (4 hole), 600, 660, 670, 673, XP-100 (4 Hole), XR-100	M902/801M	6	
	Old Model 7 (3 hole), XP-100 (3 Hole)	M970M	6	
	Ruger	10/22	M858/918M, A1022M, V490-15MOA	6, 8
		77/17, 77/22, 77/357, 77/44 - Receiver Dovetail Only	See Ruger Dovetail Rings, No. 1 & Mini 14-30	16
		American Centerfire Long Action	V402/402M, M902/902M, V485M, V485-20MOA, 7685M, 7685-20MOA	4, 6, 8
		American Centerfire Short Action	V402/402M, M902/902M, V484M, V484-20MOA, 7684M, 7684-20MOA	4, 6, 8
		American Rimfire - Dovetail	See Rimfire Rings	15, 18
American Rimfire - Add Rail		V489-15MOA	8	
Gunsite Scout Rifle (Using Scout Scope)		201LM, 501M, 7201M	10, 12, 14	
Gunsite Scout Rifle Factory Dovetail (Rear Sight and Rail Removed)		See Ruger Dovetail Rings, M77 & Hawkeye	16	
M77 Centerfire Rifle		See Ruger Dovetail Rings, M77 & Hawkeye	16	
Mini-14 Ranch, Mini-30 Ranch, PC-9, PC-40, 77-44		See Ruger Dovetail Rings, No. 1 & Mini 14-30	16	
No. 1		See Ruger Dovetail Rings, No. 1 & Mini 14-30	16	
Redhawk, Super Blackhawk, Single-Six (Dovetail Only)		See Ruger Dovetail Rings, No. 1 & Mini 14-30	16	
Super Redhawk (Dovetail Only)		See Ruger Dovetail Rings, M77 & Hawkeye	16	
Sako		A7	M918/918M	6
	Quad Dovetail	See Rimfire Rings	15	
Sauer	202	M902/901M	6	
	100, 101 Short Action & Long Action	V402/476M, M902/876M, V474M, V474-20MOA, 7674M, 7674-20MOA	4, 6, 8	
	90, 200	M902/898M	6	
	SHR Pro Hunter	M848/848M	6	
Savage	10, 11, 12, 14, 16, Short Action w/6-48 screws	V402/402M, M902/902M, V466M, V466-20MOA, 7666M, 7666-20MOA	4, 6, 8	
	110 BA (338 Lapua), 110 FCP (338 Lapua)	V412/412M, M912/912M, V465M, V465-20MOA, 7665M, 7665-20MOA	4, 6, 8	
	110, 111, 112, 114, 116, Long Action w/6-48 screws	V402/402M, M902/902M, V467M, V467-20MOA, 7667M, 7667-20MOA	4, 6, 8	
	110, 111, 112, 114, 116, New 110 Long Action w/6-48 screws	V402/402M, M902/902M, V467M, V467-20MOA, 7667M, 7667-20MOA	4, 6, 8	
	220F Slug Gun	V402/402M, M902/902M, V467M, V467-20MOA, 7667M, 7667-20MOA	4, 6, 8	
	40, 45	M848/848M	6	
	64 Rimfire	M824/824M	6	
	A17 Rimfire	V402/402M, M902/902M	6, 8	
	A22 Rimfire	V402/402M, M902/902M	6, 8	
	Axis, Axis II w/8-40 screws	V402/402M, M902/902M, M998M, V498M, V498-20MOA, 7698M, 7698-20MOA	4, 6, 8	
	Axis, Axis II, Edge w/6-48 screws	V402/402M, M902/902M, M999M, V499M, V499-20MOA, 7699M, 7699-20MOA	4, 6, 8	
	Model 93, MK II	M824/824M, V468-15MOA	6	
	New 110 Long Action w/8-40 screws	V412/412M, M912/912M, V465M, V465-20MOA, 7665M, 7665-20MOA	4, 6, 8	
	New 110 Short Action w/8-40 screws	V412/412M, M912/912M, V464M, V464-20MOA, 7664M, 7664-20MOA	4, 6, 8	
	Pre Accu-Trigger, Flat Back, Short & Long Action	M902/936M	6	
Schultz & Larsen	Schultz & Larsen	M898/848M	6	
Sears	53	V402/424M, M902/924M	6, 8	
	511	M898/828M	6	
	50, 51	M898/848M	6	
Shilen	Flat Receiver	M932/932M	6	
	Round Receiver	V402/424M, M902/924M	6, 8	
Smith & Wesson	1500, 1600, 1700	V402/476M, M902/876M	6, 8	
Springfield Armory	Model 2020 Waypoint Short-Action	V402/476M, M902/876M, V473M, V473-20MOA, 7673M, 7673-20MOA	4, 6, 8	
Stevens	2000, 200	V402/402M, M902/902M	6, 8	
Steyr	L, SL	M808/808M	6	
	M, S	M810/810M	6	
	SBS, Pro Hunter	M918/918M	6	
Stiller	Predator	V412/412M, M912/912M	6, 8	
Thompson Center	Compass	V402/402M, M902/902M	6, 8	
	Contender	M988M	6	
	Encore (Not 12 Ga. Shotgun), Omega, Triumph	M987M	6	
	T/CR22 Rimfire	V402/402M, M902/902M	6, 8	
	Venture, Venture II	V402/402M, M902/902M	6, 8	

FIREARM MANUFACTURER	MODEL	FITMENT PART NUMBER	SEE PAGE
Tikka	T1x Rimfire - Factory Dovetail	See Rimfire Rings	15
	T1x Rimfire - Add Rail	7T1XM, 7T1X-20MOA	4
	T3, T3x - Add Base or Rail	M932/932M, M9T3M, V4T3M, V4T3-20MOA, 76T3M, 76T3-20MOA	4, 6, 8
	T3, T3x, 695, 595 - Factory Dovetail	See Tikka Dovetail Rings	16
Traditions	Round Barrel	M980/980M, M980/982M	6
Verney Carron	Acier Impact LA	A998M	N/A
Voere	2150, 2165-1, 2165-2, 2165-3, 2165-4, Cougar	M902/830M	6
Weatherby	Mark V Magnum 9 lug except .240WM	M902/879M, 7654M, 7654-20MOA	4, 6
	Mark V Standard 6 Lug & .240WM	M888/875M, 7653M, 7653-20MOA	4, 6
	Model 307 Long Action	M902/902M, 7690M, 7690-20MOA	4, 6
	Model 307 Short Action	M902/902M, 7689M, 7689-20MOA	4, 6
	Vanguard, Vanguard II Long-Action	V402/476M, M902/876M, V451M, V451-20MOA, 7651M, 7651-20MOA	4, 6, 8
Vanguard, Vanguard II Short-Action	V402/476M, M902/876M, V450M, V450-20MOA, 7650M, 7650-20MOA	4, 6, 8	
Westernfield	775, 780	M826/826M	6
Winchester	670, 770	V402/424M, M902/924M	6, 8
	Model 70 Post 64 Mag w/.330 RHS	M902/802M	6
	Model 70 Post '64 Magnum-Action w/.330 RHS, .375 cal & up	M902/802M	6
	Model 70 Pre 64 Mag w/.440 RHS	M902/818M	6
	Model 70 Pre '64 Magnum-Action w/.440 RHS, .375 cal & up	M902/818M	6
	Model 70 Std w/.860 RHS Short Action	V402/424M, M902/924M, 7677M, 7677M	4, 6, 8
	Model 70 Std w/.860 RHS, Long Action	V402/424M, M902/924M, 7676M, 7676M	4, 6, 8
	Model 70 WSM	V402/424M, M902/924M, 7677M, 7677M	4, 6, 8
	Model 70 WSSM	M902/903M	6
	Model 88, 100	V402/402M, M902/902M	6, 8
	Super XII, Super 99 Shotgun	V402/402M, M902/902M	6, 8
	SXR	M848/848M	6
	X-150, Apex Muzzleloader	M980/980M, M980/982M	6
XPR Long Action	M916/954M, V486M, V486-20MOA	6, 8	
XPR Short-Action	M916/954M, V486M, V488-20MOA, 7688M, 7688-20MOA	4, 6, 8	
Zastava	M70	M902/830M	6
	M85	M880/806M	6
	Smallbore Rifle w/11mm Dovetail	See Rimfire Rings	15

Explanation of Part Number Prefixes:

PART NUMBER PREFIX	EXAMPLE	PRODUCT FAMILY REFERENCE
2xx		Maxima Vertical Steel Rings
2xxL		"L" designation for QD Steel Rings
5xx		Maxima Horizontal Steel Rings
7xx		Rimfire Rings 70/30 Split
72xx		Mountain Tech Rings
76xx		Mountain Tech Picatinny Rails
M9xx		1 Piece Steel Weaver Base
Mxxx/xxx		Maxima 2 Piece Steel Base Set
61xx		Red Dot Mounts
78xx		Skyline Precision Mounts
79xx		Skyline Bipods
V40x		Vapor Vertical Rings
V6xx		Vapor Horizontal Rings
V42x		Vapor Rimfire Rings
V4xx		Vapor Picatinny Rails
V40xx		Vapor MSR Rings
Vxxx/xxx		Vapor 2 Piece Aluminum Base Set
3xxx		Handgun Magazine Extensions
5xxx		Rifle Magazine Extensions





WARNE SCOPE MOUNTS
9500 SW TUALATIN ROAD
TUALATIN, OR 97062 USA

WARNESCOPEMOUNTS.COM